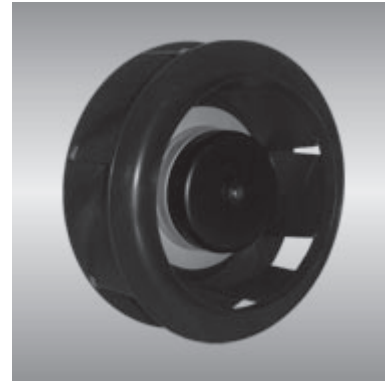


# Ø 175 BG series

## x69mm



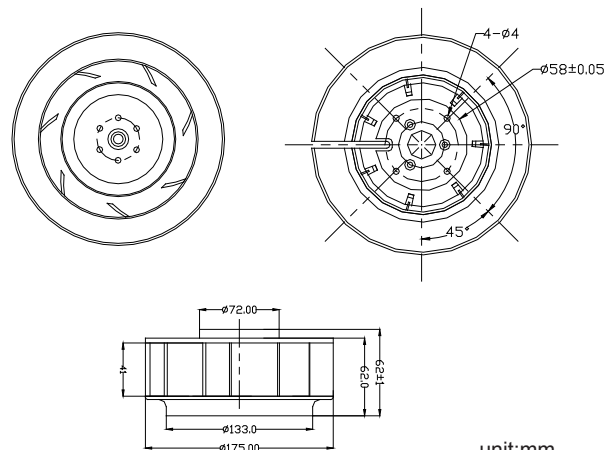
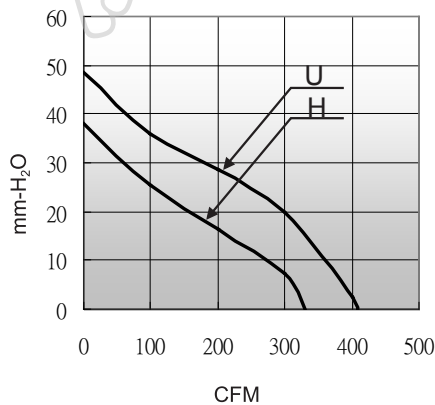
### General Specifications

- Motor : 8 Poles brushless DC motor
- Frame & Impeller : Al die casting & plastic
- Storage temperature : -40°C to +75°C
- Operating temperature : -10°C to +70°C

### Major Characteristic Parameters

Model	Bearing System	Rated Voltage	Operating Voltage Range	Rated Current	Rated Speed	Maximum Air Flow		Maximum Static Pressure		Sound Level	Weight
Part NO.	B / S / F	V	V	A	RPM	m <sup>3</sup> /min	CFM	mm-H <sub>2</sub> O	In-H <sub>2</sub> O	dBA	Kg
BGN17569B24H	B	24	18.0~28.0	1.5	3300	9.35	330	38.1	1.50	63	0.73
BGN17569B48H	B	48	36.0~56.0	1.2	3300	9.35	330	38.1	1.50	63	0.73
BGN17569B48U	B	48	36.0~56.0	1.2	4200	11.55	408	63.0	2.48	72	0.73

\*Bearing system B: Two Ball Bearing F: Fluid Bearing S: Sleeve Bearing



unit:mm